

# Designer Series Grab Bar

## Stock Numbers:

- GB-DESIGN-18-P (18" Polished)
- GB-DESIGN-24-P (24" Polished)
- GB-DESIGN-36-P (36" Polished)
- GB-DESIGN-42-P (42" Polished)
- GB-DESIGN-18-SB (18" Brushed)
- GB-DESIGN-24-SB (24" Brushed)
- GB-DESIGN-36-SB (36" Brushed)
- GB-DESIGN-42-SB (42" Brushed)
- GB-DESIGN-18-ORB (18" Oil Rubbed Bronze)
- GB-DESIGN-24-ORB (24" Oil Rubbed Bronze)
- GB-DESIGN-36-ORB (36" Oil Rubbed Bronze)
- GB-DESIGN-42-ORB (42" Oil Rubbed Bronze)
- GB-DESIGN-18-B (18" Matte Black)
- GB-DESIGN-24-B (24" Matte Black)
- GB-DESIGN-36-B (36" Matte Black)
- GB-DESIGN-42-B (42" Matte Black)
- GB-DESIGN-18-BB (18" Brushed Brass)
- GB-DESIGN-24-BB (24" Brushed Brass)
- GB-DESIGN-36-BB (36" Brushed Brass)
- GB-DESIGN-42-BB (42" Brushed Brass)

## Materials:

Grab bar tubing, flanges, and covers are constructed of #304 stainless steel.

## Hardware:

Each grab bar includes (6) 2 inch stainless steel screws and (1) wrench for set screws on post.

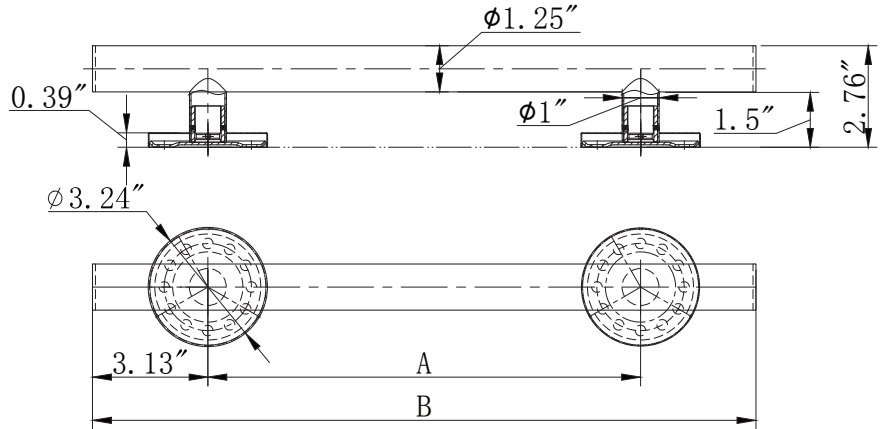
## Compliance:

Complies with ADA guidelines - tested to 500 lbs. pull test.

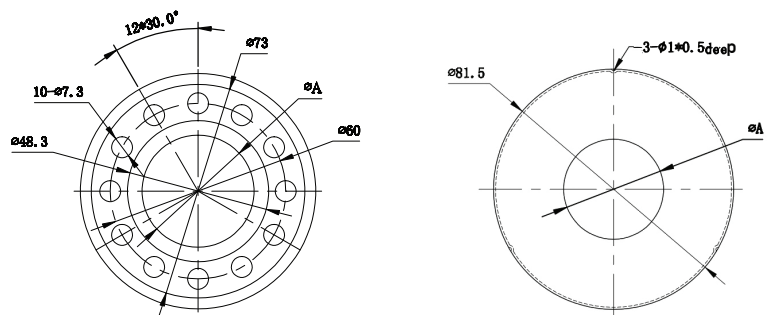
# GrabBars.com

sales@grabbars.com | 704-800-4629

## Dimensions:



Model	A	B
GB-DESIGN-18-XX	11.75"	18"
GB-DESIGN-24-XX	17.75"	24"
GB-DESIGN-36-XX	29.75"	36"
GB-DESIGN-42-XX	35.75"	42"



## Anchor Compatibility:

Installer friendly 12-hole flange is compatible with most common anchoring devices, including: Moen SecureMount, Wingits, Delta Anchor, Toggler (1/4" bolts), and Solid Mount.

## Cleaning Instructions:

To preserve the fine finish of this product, clean only with a soft damp cloth. Dry well. Do not use commercial or abrasive cleaners.