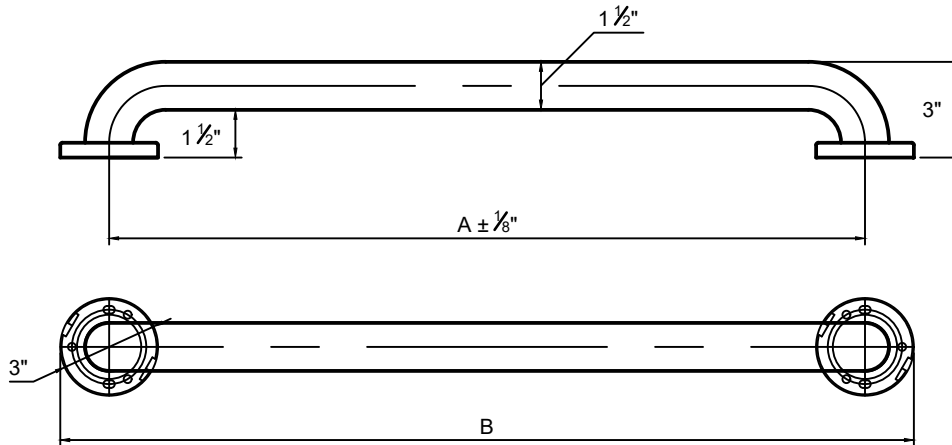
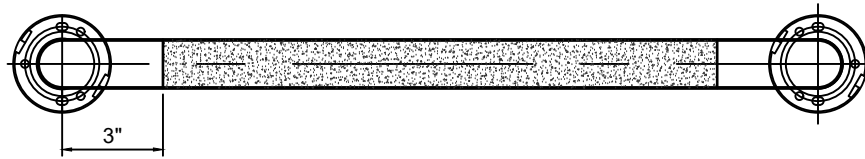


## STANDARD STRAIGHT - 1 1/2" DIA.



The below diagram illustrates the texture location for our Peened (SP) finish grab bars.



### AVAILABLE COLORS / FINISHES:

- Brushed Stainless (SB)
- Peened (SP)
- Polished Stainless (P)
- White (W)
- Matte Black (B)

### STANDARD SPECIFICATIONS:

- 18 Gauge 304 Stainless Steel.
- Decorative flanges.
- Concealed mounting.
- ADA and ANSI Compliant: 1 1/2" wall clearance and supports up to 500 lbs.
- Mounting hardware included with product - (6) 2" stainless steel screws.
- Wood blocking is preferable behind all wall surfaces. If wood blocking is not available, view the hollow wall mounting anchors on GrabBars.com

LENGTH (A)	OVERALL LENGTH (B)	COLORS   FINISHES
12"(305mm)	15"(381mm)	<input checked="" type="checkbox"/> SB <input type="checkbox"/> SP <input type="checkbox"/> P <input type="checkbox"/> W <input type="checkbox"/> B
16"(406mm)	19"(483mm)	<input checked="" type="checkbox"/> SB <input type="checkbox"/> SP <input type="checkbox"/> P <input type="checkbox"/> W <input type="checkbox"/> B
18"(457mm)	21"(533mm)	<input checked="" type="checkbox"/> SB <input checked="" type="checkbox"/> SP <input checked="" type="checkbox"/> P <input checked="" type="checkbox"/> W <input checked="" type="checkbox"/> B
24"(610mm)	27"(686mm)	<input checked="" type="checkbox"/> SB <input checked="" type="checkbox"/> SP <input checked="" type="checkbox"/> P <input checked="" type="checkbox"/> W <input checked="" type="checkbox"/> B
30"(762mm)	33"(838mm)	<input checked="" type="checkbox"/> SB <input type="checkbox"/> SP <input type="checkbox"/> P <input type="checkbox"/> W <input type="checkbox"/> B
36"(914mm)	39"(991mm)	<input checked="" type="checkbox"/> SB <input checked="" type="checkbox"/> SP <input checked="" type="checkbox"/> P <input checked="" type="checkbox"/> W <input checked="" type="checkbox"/> B
42"(1067mm)	45"(1143mm)	<input checked="" type="checkbox"/> SB <input checked="" type="checkbox"/> SP <input checked="" type="checkbox"/> P <input checked="" type="checkbox"/> W <input checked="" type="checkbox"/> B
48"(1219mm)	51"(1295mm)	<input checked="" type="checkbox"/> SB <input type="checkbox"/> SP <input type="checkbox"/> P <input type="checkbox"/> W <input type="checkbox"/> B

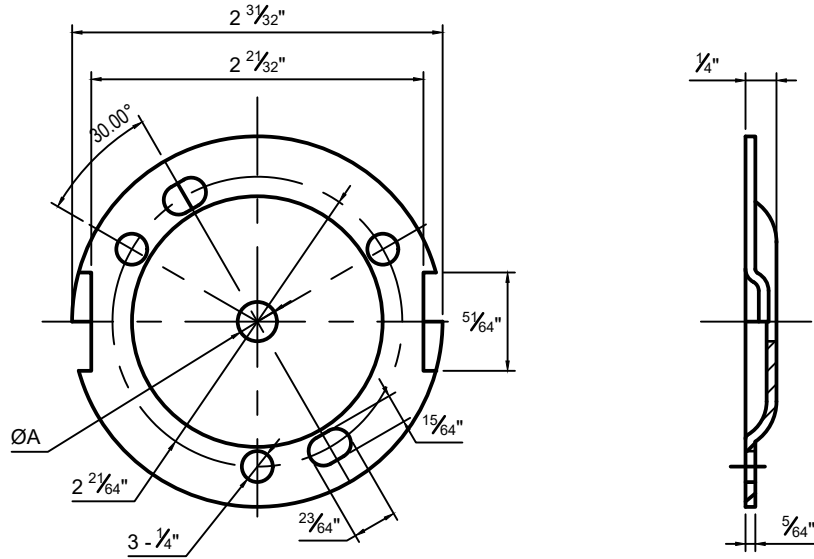
### COMPLIES WITH:

- American with Disabilities Act (ADA) when properly installed, sized, and located.
- ICC/ANSI A117.1

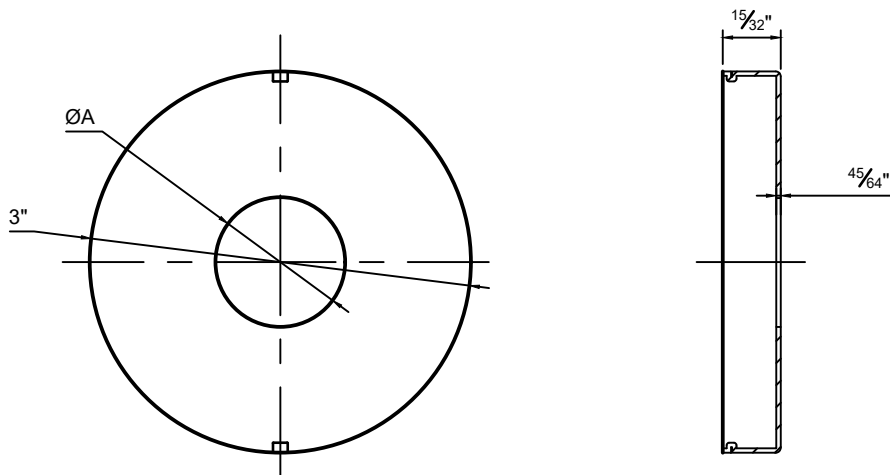
### LIMITED WARRANTY:

If this product, when used for its intended purpose, fails due to defects in materials or workmanship over a period of one (1) year from the date of original installation, return the item (at your expense), at our option, we will exchange or recondition the item free of charge. We require a proof of purchase.

## STANDARD FLANGE



$\varnothing A$	$\varnothing A$	$\varnothing A$
$2\frac{23}{64}$ "	$1\frac{17}{64}$ "	$1\frac{33}{64}$ "



$\varnothing A$	$\varnothing A$
$2\frac{23}{64}$ "	$1\frac{37}{64}$ "